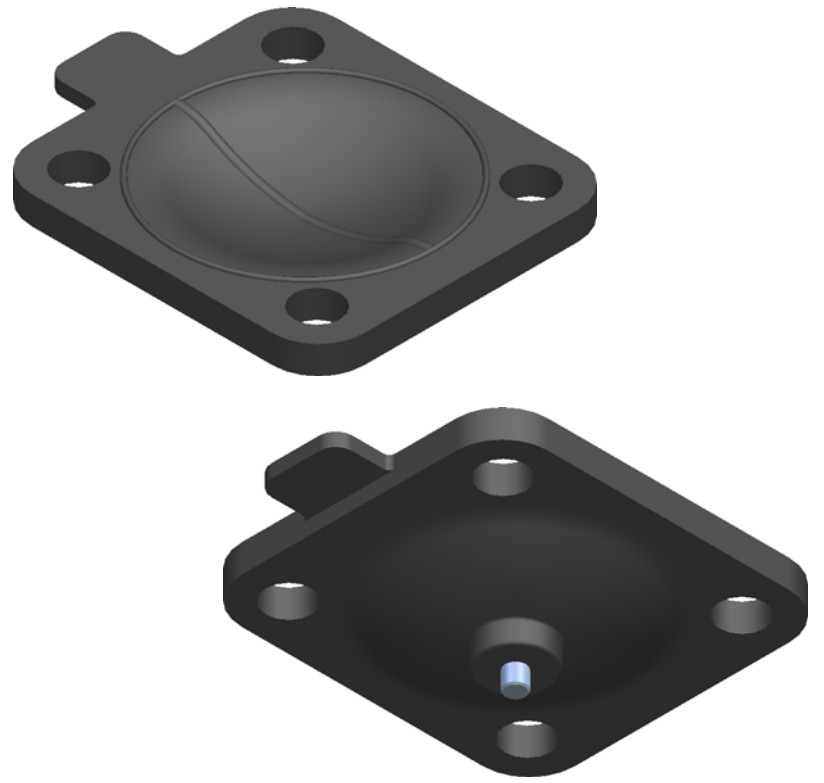


REVISION HISTORY			
REV	DESCRIPTION	DATE	APPROVED
B	OEM Part in BUTYL (IIR) added - DA020B1	27/02/22	JB




Replacement Diaphragm for :-

OEM PART = DA020B1

USED ON 3/4" (DN20) Diaphragm Valve

Disclaimer - Diaphragm Direct® does not manufacture, represent, nor sell OEM valves or diaphragms manufactured by any other company. Diaphragm Direct® brand diaphragms are not sponsored by any other manufacturers. Any name, model, part number, brand, image, material or referral is for descriptive purposes only. Diaphragm Direct® brand replacement diaphragms are guaranteed to fit OEM equipment and meet or exceed OEM specifications. Diaphragm Direct® brand replacement diaphragms are covered by the standard Diaphragm Direct® limited product warranty.

	NAME	DATE	DIAPHRAGM DIRECT	
DRAWN	M Mc Keon	02/27/22		
CHECKED	M Mc Keon	02/27/22		
Material - BUTYL (IIR)			TITLE: DD07-SIIR-T	
Complies with CFR 177.2600 and Conforms to USP Class VI Biological Reactivity Tests Section #87 and #88			SIZE A	REV B
			FOOT PRINT DIMENSIONS	
			FILE NAME: DD07-SIIR-T-B.dft	
			SCALE: 1 : 1	SHEET 1 OF 1